

## MOS36K MINIMAL OPENING SYSTEM

### SPECIFICATION

### MOS36K (FULL SYSTEM)

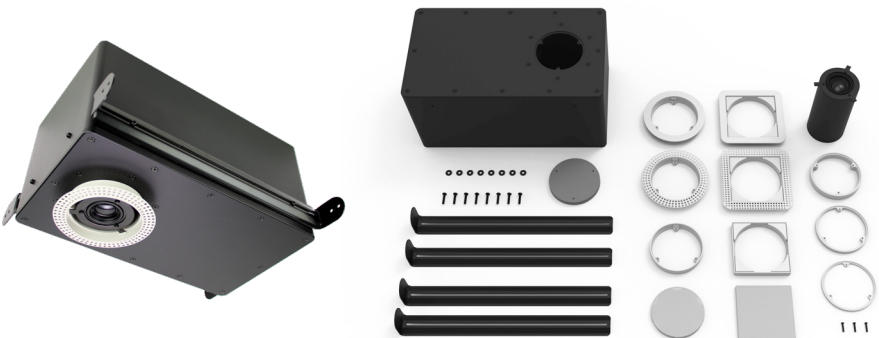
System Type	Two-Way Full Range Loudspeaker
Frequency Response	35Hz - 20kHz [ - 10dB] 44Hz - 20kHz [ ± 3dB]
Power RMS	75 Watts
Power Peak	200 Watts
Recommended Amp	50W - 150W FTC @ 4 Ω
Crossover	Custom Two-Way Passive 200Hz
Maximum SPL @ 1m	102 dB Continuous, 107 dB Peak
System coverage	100-degree conical
Sensitivity, 1W/1m	84 dB
Nominal Impedance	4 Ω
Input Connectors	2P Phoenix Connector

### MOS36BOX (SUBWOOFER | USED WITH MOS36MRM)

Subwoofer	6½" Composite Glass Fiber
Enclosure	Composite UL Resin
Mounting	Overlapping Formed Steel Straps, Adjustable from 14.5" – 22.5"

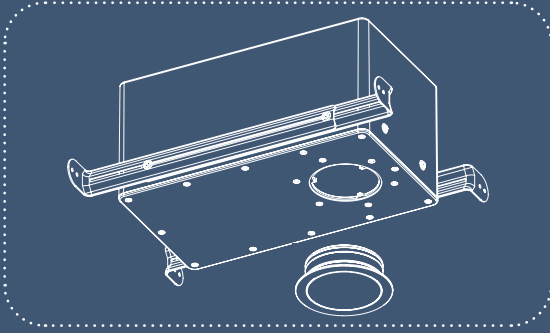
### MOS36MRM (MID-RANGE MODULE | USED WITH MOS36BOX)

Full Range Driver Components	2" Wide Band Aluminum Cone Rubber Surround Neodymium Transducer
------------------------------	---

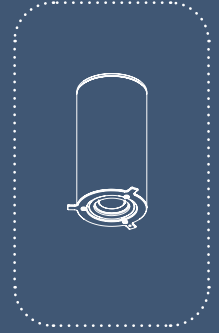


MOS36BOX

MOS36MRM



+



<b>MODEL</b>	<b>MOS36BOX</b>
<b>PART</b>	MOS3600BOX
Height	6 3/4" (172 mm)
Width	8" (203 mm)
Length	14" (356 mm)
Weight	11.5lbs (5.23kg)

<b>MODEL</b>	<b>MOS36MRM</b>
<b>PART</b>	MOS3600MRM
Diameter	2 13/16" (72 mm)
Height	5 1/2" (14 mm)
Weight	0.55lbs (0.25kg)

Please visit [docs.originacoustics.com](https://docs.originacoustics.com) or scan this QR code using your smart device for the most up to date safety information and use instructions for this product.



*\*All warranties and warranty conditions are subject to change. Please refer to docs.originacoustics.com for the latest information.*