



Technical Data Sheet

PRO³ Active Copper HDMI Cables

7.5m 12.5m 15m

Making performance easier

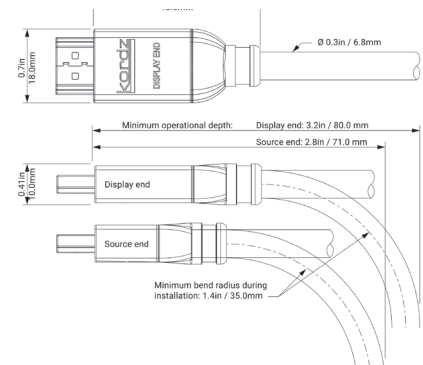
Kordz PRO3 Active Optical 18Gbps HDMI Cables are expertly designed for professional AV integrators, providing a hassle-free installation experience with compact, gold-plated 1kg retention HDMI connectors, and a flexible fire-rated cable. DPL certified to support 18Gbps 4K60 HDR from 10m to 30m, they're backed by the Kordz promise of 'Connectivity Assured'. Kordz PRO3 Active Copper 18Gbps HDMI Cables are expertly designed for professional AV integrators, providing a hassle-free installation experience with compact, gold-plated 1kg retention HDMI connectors, and a flexible fire-rated cable. DPL certified to support 18Gbps 4K60 HDR from 7.5m to 12.5m, they're backed by the Kordz promise of 'Connectivity Assured'.

- DPL Labs certified for 18Gbps applications, supporting 4K60 HDR or 8K/30 4:2:0 resolutions.
- Lightweight ABS connector assembly with gold-plated HDMI connector rated for 1kg retention force.
- A lightweight and UL CMG fire rated jacket for safety
- Active Copper technology with no external power dependencies, works just like a normal passive HDMI cable.
- Every cable individually production tested.
- Flexible, UL CMG fire-rated jacket perfect for almost every installation.
- 2 Year Warranty.



Technical Specifications		7.5m to 12.5m Lengths
HDMI Cable Certification		High Speed with Ethernet
HDMI CTS (Certified Test Specifications)		6.0Gbps, 17.82Gbps agg
DPL Labs Certified Data Rate		≥ 6.0Gbps, 17.82Gbps agg (4K UHD)
Supported Data Rate		340MHz
HDMI Clock		
Construction		
Primary Conductors		Solid 28 AWG OFC
Insulation	TMDS	Foamed Polyethylene
	4C + HEAC Pairs	HDPE
Shielding	TMDS Pairs	Al/Mylar
	Overall	Al/Mylar + Al-Mg alloy braid, min 65% coverage
Cable Jacket Material		UL CMG fire-rated PVC composite materials
HDMI Connector Shell		Premium Gauge folded steel, 0.5µ" 24K Gold-plated
HDMI Connector Pins		Solid OFC, 1.5µ" 24K Gold-plated
Termination		Hand soldered
HDMI Back-shell		ABS front shell with PVC injection moulded boot and strain relief
Mechanical		
Cable Diameter	7.5m - 12.5m	6.8mm 0.26in Ø
Mounting Depth	Display-end	80.0mm 3.2in
	Source-end	71.0mm 2.8in
Cable Bend Radius		35.0mm 1.4in
Connector Retention Force		10N (1kg / 2.2lbs) +10/-5%

Part No:	Length	Inner Ctn Qty	Master Ctn Qty
K26116-0750-CH	7.5m 24.6 ft	12	24
K26116-1000-CH	10m 32.8 ft	10	20
K26116-1250-CH	12.5m 41 ft	8	16



Kordz products are sold with a limited warranty as outlined at: www.kordz.com ©2021 Kordz International. All rights reserved. Kordz Connectivity. Assured & Kordz range logos are trademarks or registered trademarks of Kordz International in Hong Kong and in other countries. All other trademarks are the property of their respective owners.