

Connectivity.Assured

## ONE General Purpose HDMI® Cable

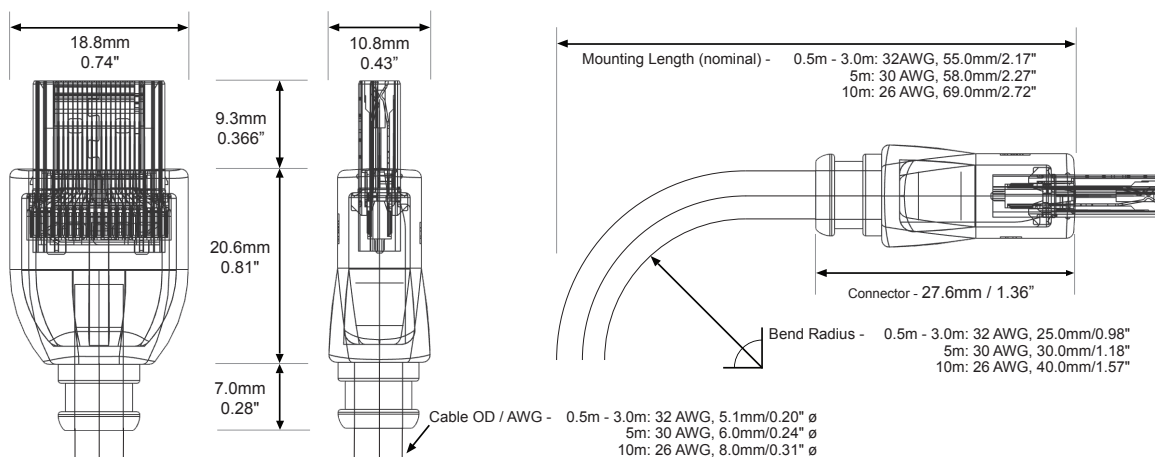
The Kordz ONE Series HDMI Cables are everything you'd come to expect from Kordz, but now in a form that provides a balance in value, performance and reliability. The ONE Series HDMI is flexible, compact and perfect for the AV Integrators HDMI requirements. Each cable is individually tested as part of our strict production process, giving the confidence to offer a lifetime warranty.

- Engineered and constructed to ensure installation success and ease
- High Speed with Ethernet in lengths to 3m (9'10") for 2160p (4K) support
- Standard with Ethernet with operational support to 1080p/60 up to 10m (32'9")
- Induction soldered pin transitions for benchmark inter-terminal uniformity
- PVC boot shell assembly with folded nickel plated HDMI connector
- 100% of units tested on the production line for electrical continuity on all pins, with 1080p/60 application test
- Limited lifetime warranty



### Technical Specifications

HDMI Certification	≤ 3.0m Lengths	5.0m - 10.0m Lengths
HDMI CTS (Certified Test Specification)	High Speed with Ethernet	Standard with Ethernet
Certified Data Rate	3.4Gbps, 10.2Gbps agg	1.485Gbps, 4.56Gbps agg
Supported Data Rate	≥ 3.4Gbps (4K UHD)	≥ 1.485Gbps (1080p/60)
HDMI Clock	27-340MHz	27-148.5MHz
<b>Construction</b>		
Primary Conductors	Solid 32-26AWG OFC, length dependent	
Insulation	TMDS	Polyolefin / Foamed PE / PE, length dependent
	4C + HEAC Pairs	Polyolefin / Foamed PE / HDPE, length dependent
Shielding	TDMS Pairs	Al / Mylar
	Overall	AL/Mylar + AL braid 85% coverage
Cable Jacket	PVC - ≤ 3.0m Lengths / UL CMG-Rated - 5.0m - 10.0m Lengths	
HDMI Connector Shell	PVC Injection moulded, Nickel-plated Connector Plate	
HDMI Connector Pins	Solid OFC, 15µ" 24K Gold plated	
Termination	Contactless IR induction soldering	
Strain Relief	PVC boot strain relief	
<b>Mechanical</b>		
Cable Diameter	cable gauge dependent (see below)	
Mounting Depth	cable gauge dependent (see below)	
Cable Bend Radius	cable gauge dependent (see below)	
Retention Force (nom)	< 9.9N (1kg / 2.2lbs) +10/-5%	



kordz.com



kordz.com

HDMI 2.0 Adaptor



# ONE General Purpose HDMI® Cable

Application Specifications	
Video Format Support	Data rate per channel / Aggregate, TMDS Bandwidth
<b>All Lengths</b>	
480i/p, 576i/p	≤ 540Mbps/1.62Gbps, 270MHz
720p/60, 1080i/60	742.5Mbps/2.22Gbps, 371.25MHz
<b>1080p - 8-bit RGB/YCbCr 4:4:4, 10/12-bit 4:2:2 or 4:2:0</b>	
23.98/24/29.97/30	742.5Mbps/2.22Gbps, 371.25MHz
50/59.94/60	148.5Mbps/4.455Gbps, 742.5MHz
3D-24/30	148.5Gbps/4.455Gbps, 742.5MHz
3D-50/60	2.97Gbps/8.91Gbps, 1.485GHz
<b>Lengths to 3m only - High Speed</b>	
1080p - 10/12/16-bit RGB/YCbCr 4:4:4 - 50/59.94/60fps	max. 2.97Gbps/8.91Gbps, 1.485GHz
<b>2160p (UHD/4K)</b>	
<b>HDMI 1.4b - 8-bit RGB/YCbCr 4:4:4, 10/12-bit 4:2:2 or 4:2:0</b>	
4096x2160p/24 (SMPTE)	2.97Gbps/8.91Gbps, 1.485GHz
3840x2160p/23.98/24/29.97/30	2.97Gbps/8.91Gbps, 1.485GHz
<b>HDMI 2.0 - 8-bit YCbCr 4:2:0 - 2160p*/50/59.94/60</b>	
	2.97Gbps/8.91Gbps, 1.485GHz
<b>VESA Graphics</b>	Supports all as defined by HDMI 2.0 specification, up to 8.91Gbps
<b>Color Spaces</b>	RGB, YCbCr, xvYCC, Adobe sRGB, sYCC601, ITU-BT.2020
<b>Audio Formats Support</b>	PCM 2.0-7.1, DD/DTS HD 7.1, 3D Audio (10.2   22.2   30.2ch)
<b>3D Audio (10.2 / 22.2 / 30.2ch)</b>	Supported - device & video format dependant
<b>HDMI Ethernet Channel</b>	Supported - system dependant
<b>HDMI Audio Return Channel</b>	Supported - system dependant

\* HDMI 2.0 2160p modes encapsulate both 4,096 or 3,840 Hres variants & 4:3 anamorphic pixel ratio support

Commercial Range Comparison Features	ONE	PRO <sup>3</sup>	PRS <sup>3</sup>	R.3
1080p60 On all Lengths	✓	✓	✓	✓
4K24 4:2:2 HDR12	to 3m	✓	✓	✓
4K60 4:4:4 8 Bit	x	✓	✓	✓
10.2 Gbps Guaranteed Bandwidth	to 3m	✓	✓	✓
18.0 Gbps Guaranteed Bandwidth	x	✓	✓	✓
Connector Retention Force	<1kg	1kg	3kg	2kg
Dual wrap Al/Mylar + industry leading 90% coverage copper braid shield	x	x	x	✓
DPL Labs Certified	x	x	✓	✓
Lifetime Warranty	✓	✓	✓ <sup>②</sup>	✓
Jacket Material - fire rating	UL CM/G <sup>④</sup>	UL CMG	LSZH <sup>③</sup>	HF <sup>①</sup>

① Refers to Halogen Free Jacket Material ② 5 Year Warranty on All Active Cables ③ Available in UL CMG on the Active & Passive PRS<sup>3</sup> HDMI Cables

Part No:	Length	AWG	Technology	Max Video Resolution	Ctn Qty	Ctn Weight Kgs
K16041-0050-CH	0.5m   1' 7"	32	Passive	2160p (UHD 4K)	120	4.26
K16041-0100-CH	1.0m   3' 3"	32	Passive	2160p (UHD 4K)	100	5.22
K16041-0200-CH	2.0m   6' 6"	32	Passive	2160p (UHD 4K)	72	6.07
K16041-0300-CH	3.0m   9' 10"	32	Passive	2160p (UHD 4K)	56	6.50
K16041-0500-CH	5.0m   16' 4"	30	Passive	1080p/60	36	8.35
K16041-1000-CH	10.0m   16' 4"	26	Passive	1080p/60	12	9.05

Kordz products are sold with a limited warranty as outlined at: [www.kordz.com](http://www.kordz.com)

©2020 Kordz International. All rights reserved. Kordz Connectivity, Assured & Kordz range logos are trademarks or registered trademarks of Kordz International in Hong Kong and in other countries.

All other trademarks are the property of their respective owners.