



CPB-1 Control Port Connecting Block

The CPB-1 Control Port Connecting Block provides a cost effective solution for one-room installations such as classrooms or boardrooms, that require an in-wall controller and both infrared and RS-232 control of local devices. The CPB-1 is the perfect accessory to any RTI in-wall controller to offer an advanced level of control over many of today's electronic devices without the additional cost of an RTI control processor.

Key Features

- Provides power for one RTI in-wall system controller.
- Two infrared emitter outputs
- Variable IR output power
- Allows RTI in-wall controllers to communicate via one-way RS232 to devices without a processor
- Steel construction
- 16VDC power supply included

Description

The CPB-1 provides power to one RTI in-wall system controller and has two output ports that allow the connection of up to two single or dual infrared emitters. It also incorporates an RS-232 port for advanced serial control of devices without the need of an RTI processor. The CPB-1 also includes a RJ-45 to DB-9 adapter, allowing simple connection to almost any serial control device. Incorporating a durable steel enclosure, the CPB-1 is the ideal solution for taking any RTI in-wall controller to the next level of control capabilities.

Call 952-253-3100

www.rticorp.com



It's Under Control®

Specifications

Power Supply +16VDC, 1.6A

Number of IR Output Ports Two

Output Ports 3.5mm jacks
..... Works with industry-standard IR emitters.

IR Output Drive 100mA maximum (per port, adjustable)

Infrared Input Compatible with industry-standard repeaters and receivers

RS-232 Port RJ45 Connection
..... Includes RJ45 to DB9 adapter

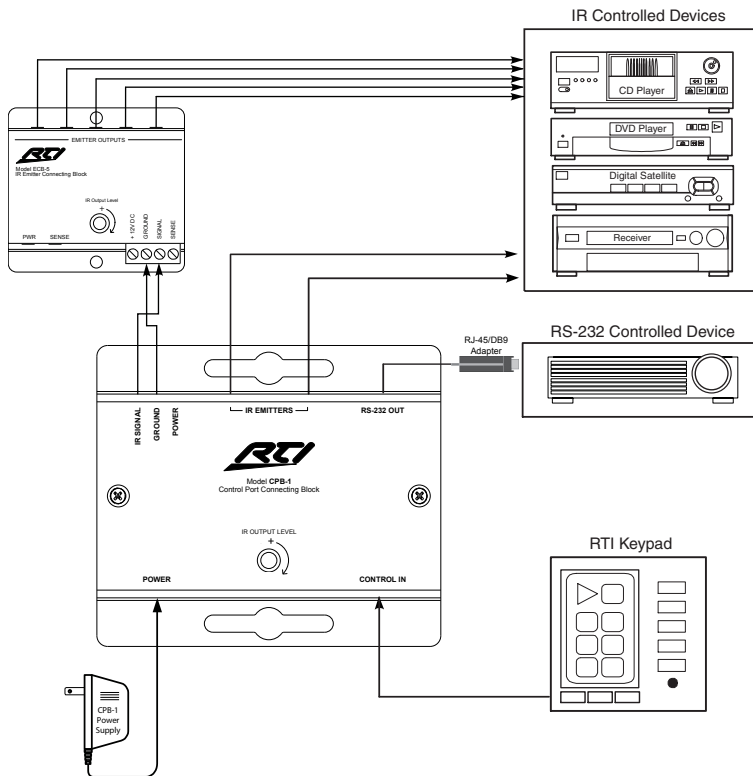
Mounting Wall-mount or free standing

Dimensions (W x H x D) 4.0" (102mm) x .35" (89mm) x 1.1" (28mm)

Weight 8.4 oz. (238g)

Warranty One Year (Parts & Labor)

Installation Diagram



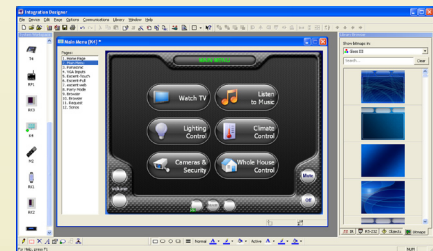
Processors / Accessories

RP-1	Remote Control Processor
RP-6	Remote Control Processor
MRP-64	Multi-Room Control Processor
XP-8	Advanced Control Processor
CB-4	Touchpanel Connecting Block
ECB-5	IR Emitter Connecting Block



Other RTI Products

T1	Universal System Controller
M2	Universal System Controller
T2-B	Universal System Controller
T2-Cs	Universal System Controller
T2-C	Universal System Controller
T3-V	Universal System Controller
T4	Universal System Controller
U1	Waterproof Controller
U2	Waterproof Controller
RKM-1	In-Wall Multi-Room Audio Keypad
RK1	In-Wall Keypad Controller
RK2	In-Wall Touchscreen Controller
RK3	In-Wall Touchscreen Controller
K4	In-Wall Touchscreen Controller
IR-PRO	Infrared Capture System



Integration Designer™ Programming Software