

# CustomSound™ CS850 2-Way In-Ceiling Loudspeaker



This superb group of architectural speakers embody over 40 years of cutting-edge research in the field of acoustics and loudspeaker design. Musical, refined, and nearly invisible, these speakers can create a beautiful ambience, even in larger spaces. Because their sonic signature is identical to other PSB speakers, the CS series can integrate perfectly as part of home theatres or as the soundtrack of the connected home. Since PSB has in-room, on-wall, outdoor, in-wall and in-ceiling designs at many different price points, it makes it easy to specify an audio system that you know will turn out right, be easy to specify and install, and will absolutely thrill even your most discriminating clients.

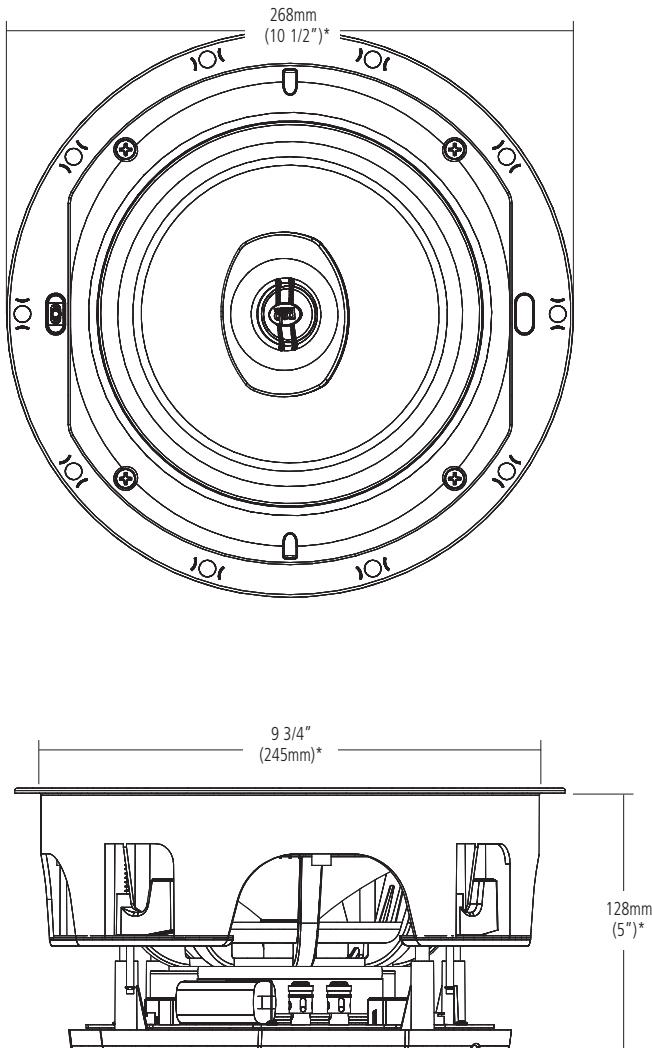
There are seven models in this series, and all feature frameless magnetic grilles with invisible scrims. Both round and square grilles are provided (CS605, CS805 only have round grills), simplifying and reducing your inventory requirements. Each model features an improved, simple, foolproof mounting system using heavy duty doglegs. Cutting templates are included. Pre-construction brackets and back-cans are also available.

## CS850 Premium 2-way In-Ceiling Speaker

Our premium 8" model is capable of delivering deep powerful bass in large room envelopes with a tremendous level of detail. Sharing some DNA with our top-of-the-line Imagine T3 speaker, it is able to achieve higher sensitivity and lower harmonic distortion at high playback levels. It retains all of the other features and advantages of its more affordable little brother, with an upgraded 1" titanium tweeter with Wave Guide and indexed adjustment for precise adjustment of the tweeters acoustic axis. Also featured are acoustic adjustments for the mid/woofer and tweeter level.

- 203mm (8") 2-way in-ceiling flush mount speaker
- Proprietary Imagine carbon-filled polypropylene cone with cast basket
- Proprietary 25mm (1") titanium dome tweeter
- Aimable tweeter angle adjustment (indexed)
- Precision crossover network for smooth wide-band response
- Dual position switches for tweeter and midwoofer levels
- High strength doglegs for easy installation and removal
- Includes both round and square magnetic frameless grilles

# CustomSound CS850 2-Way In-Ceiling Loudspeaker



## Frequency Response (Anechoic Chamber)

On Axis @ 0°±3dB 45-20kHz

## Sensitivity (1W (2.83V) @ 1M, IEC-Filtered pink noise, C-weighted)

Anechoic Chamber 86dB  
Listening Room 88dB

## Impedance

Nominal 6 Ohms  
Minimum 4 Ohms

## Input Power (RMS, Clipping <10% Time)

Recommended 10-100 Watts

## Acoustic Design

Tweeter (Nominal) 25mm (1") Titanium dome with ferrofluid

Woofer (Nominal) 203mm (8") Cast Basket  
Black Polypropylene Cone  
Rubber surround

Crossover 3.1kHz LR4

Design Type Open back

EQ Adjustment Tweeter & Woofer Switch

## FINISH/CONSTRUCTION

Back Frame ABS

Grille Material Steel; Perforated w white scrim

Grille Type Frameless

Connectors Gold-plated, Spring Loaded, 12AWG

## Size (W x H x D) (Gross Dimensions)

Mounting Depth 128mm (5")\*  
Cutout Diameter 245mm (9 3/4")\*  
Grill Round 272mm (10 3/4")\*  
Grill Square 272mm x 272mm (10 3/4" x 10 3/4")\*  
**Both round and square grill supplied**

\* Non-metric measurements are approximate.

REAL SOUND for REAL PEOPLE  
[www.PSBspeakers.com](http://www.PSBspeakers.com)