

CustomSound™ CS605 2-Way In-Ceiling Loudspeaker

psb
SPEAKERS



This superb group of architectural speakers embody over 40 years of cutting-edge research in the field of acoustics and loudspeaker design. Musical, refined, and nearly invisible, these speakers can create a beautiful ambience, even in larger spaces. Because their sonic signature is identical to other PSB speakers, the CS series can integrate perfectly as part of home theatres or as the soundtrack of the connected home. Since PSB has in-room, on-wall, outdoor, in-wall and in-ceiling designs at many different price points, it makes it easy to specify an audio system that you know will turn out right, be easy to specify and install, and will absolutely thrill even your most discriminating clients.

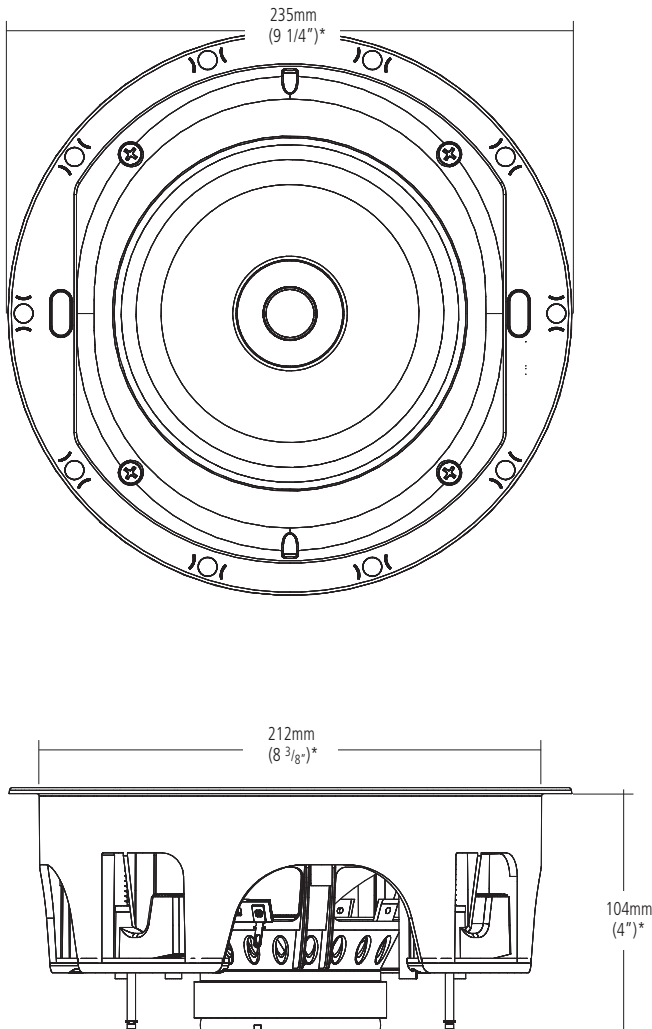
There are seven models in this series, and all feature frameless magnetic grilles with invisible scrims. Both round and square grilles are provided (CS605, CS805 only have round grills), simplifying and reducing your inventory requirements. Each model features an improved, simple, foolproof mounting system using heavy duty doglegs. Cutting templates are included. Pre-construction brackets and back-cans are also available.

CS605 2-way In-Ceiling Speaker

Sharing the same tonal characteristics as its family members, this model is a wonderful introduction to PSB sound at a very affordable price. Featuring a 19mm ($\frac{3}{4}$ ") soft dome fabric tweeter and a 6 $\frac{1}{2}$ " polypropylene cone, it's well matched to offer wide and constant dispersion throughout its frequency range.

- 165mm (6 $\frac{1}{2}$ ") 2-way in-ceiling flush mount speaker
- Carbon-filled polypropylene cone
- Proprietary 19mm ($\frac{3}{4}$ ") treated textile dome tweeter
- High strength doglegs for easy installation and removal
- Includes round magnetic frameless grille

CustomSound CS605 2-Way In-Ceiling Loudspeaker



Frequency Response (Anechoic Chamber)

On Axis @ 0°±3dB 50-20kHz

Sensitivity (1W (2.83V) @ 1M, IEC-Filtered pink noise, C-weighted)

Anechoic Chamber 85dB
Listening Room 87dB

Impedance

Nominal 6 Ohms
Minimum 4 Ohms

Input Power (RMS, Clipping <10% Time)

Recommended 10-100 Watts

Acoustic Design

Tweeter (Nominal) 19mm (3/4") Treated Textile dome with ferrofluid

Woofer (Nominal) 165mm (6 1/2") Stamped Steel Basket
Black Polypropylene Cone
Foam Surround

Crossover 1st order high pass

Design Type Open back

FINISH/CONSTRUCTION

Back Frame ABS

Grille Material Steel; Perforated w white scrim

Grille Type Frameless

Connectors Spring Loaded Speaker Terminals

Size (W x H x D) (Gross Dimensions)

Mounting Depth 104mm (4")*
Cutout Diameter 212mm (8 3/8")*
Grill Round 238mm (9 1/3")*
Grill Square 238mm x 238mm (9 3/8 x 9 3/8")*
Round grill supplied

* Non-metric measurements are approximate.

REAL SOUND for REAL PEOPLE
www.PSBspeakers.com