



ORIGIN®
ACOUSTICS

Installation Manual

10" IN-WALL SUBWOOFER

Model: | CSUB10NCE



Introduction

Thank you for purchasing the CSUB10NCE In-Wall Subwoofer. At Origin Acoustics, we take pride in providing you with a high quality product. All of Origin Acoustics' subwoofers are designed to have excellent sound quality, longevity, and a simple installation process.

This subwoofer is designed for new construction installations only. For your installation convenience, it's sold in two parts: the CSUB10NCE enclosure that's installed before the drywall, and the CSUB10N that's installed after the drywall.

This instruction booklet covers the necessary information for a smooth installation of your Composer Subwoofer enclosure (CSUB-10NCE), including: the tools you will need, step-by-step instructions for installation, and all warranty information. The instructions for the baffle (CSUB10N) aren't included in this manual, but can be found with the baffle or online at www.originacoustics.com. If for any reason you experience problems or if you have installation questions please call us at (844) 674-4461. Hours of operation are 8:00am to 5:00pm (Pacific Time), Monday through Friday.

Table of Contents

Introduction	1
Installation Requirements and Recommendations	1
CSUB1000NCE: What's Included	1
Required Tools/Items.....	2
Location.....	2
Amplifier.....	2
Enclosure Installation	3
Installing the Wire.....	3
Installing the Enclosure.....	4
Attach the Wire to the Enclosure.....	5
Drywall.....	5
Baffle Installation	5
Specifications	6
Technical Assistance	7
Warranty	8
Limited Lifetime Warranty.....	8
Requirements and Warranty Coverage.....	9
Return Process.....	9

Installation Requirements and Recommendations

CSUB1000NCE: What's Included

(CSUB10N Baffle sold separately)

- Enclosure
- Subwoofer baffle placeholder
- New Construction mounting system
 - mounting brackets x2
 - Mounting suspension cable
 - Mounting bracket screws x8



Required Tools/Items

- Screwdriver
- Speaker wire
- Tape measure

Speaker Wire Recommendations

For this setup, use a multi-stranded wiring designed for amplifier to speaker connections. The gauge of wire used can have an impact on the performance of your speakers, and we recommend choosing the largest wire size that is practical for your installation. Which gauge to select depends on the length of wire to be used on any particular speaker. In general the shorter the run the

smaller the wire size you can use, however you can never go wrong by using a thicker gauge.

Wire Length		Recommended Gauge
Feet	Meter	
0-100	0-30	18
50-150	15-45	16
100+	30+	14

Location

The location of your subwoofer(s) will have a large impact on sound quality. For best results, install the subwoofer so the bottom is close to the ground and in either corner in the front of the room. If you're installing two subwoofers in the room, the best option is one in each corner in the front.

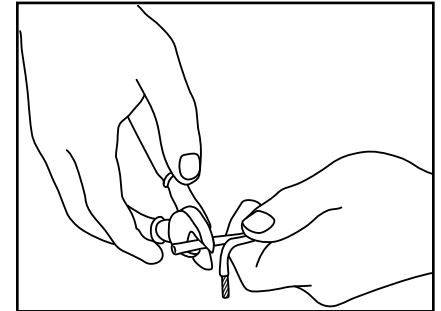
Amplifier

This subwoofer has been designed to work with an Origin Subwoofer amplifier, either the SubA150 or the SubA500.

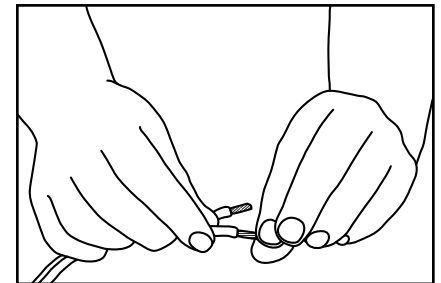
Enclosure Installation

Installing the Wire

Strip ¼ to ½ inches (6 to 12 mm) of the insulation off both ends of the wire. To avoid stray strands, twist them at the end.



Connect the wire to the amplifier, but don't plug in the amplifier AC just yet. Route the wire through the walls to the subwoofer location.



About Speaker Wire

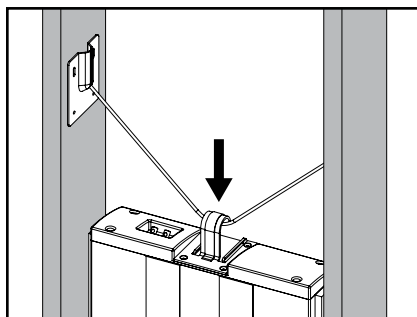
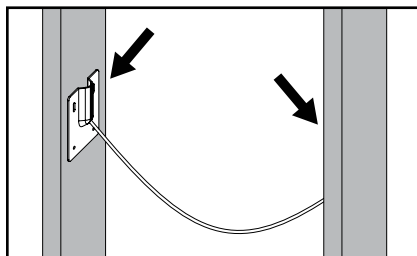
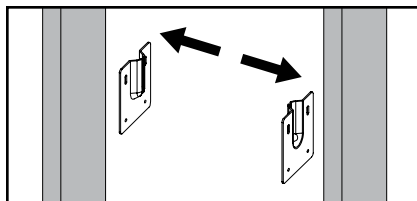
You will need a wire that has at least two conductors; one that can be identified as the positive and the other as the negative. All two conductor wires have some means of identifying which conductor is which, but at times this identification may be subtle. It's crucial that you keep track of which wire you use for positive (+) and negative (-). Typically if the wires are colored red and black, the red wire is used for positive and the black wire is used for negative, but sometimes other colors or patterns are used. You can choose whichever color of wire you want to be positive and negative as long as you remain consistent throughout the install.



Installing the Enclosure

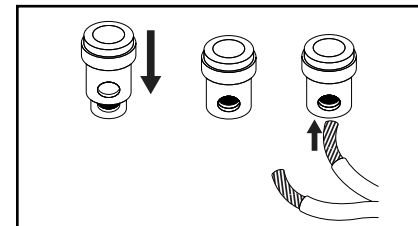
Using the 8 provided screws, attach the two mounting brackets to the studs, facing each other. Once everything's installed, the distance between the bottom of the subwoofer and the bottom of the bracket will be about 49". So when you know how far off the floor the subwoofer should be, add that number to 49", and install the brackets at that height. For example, if you want the subwoofer to be about a foot off the floor, install the bottom of the brackets about 61" (49" + 12") off the floor.

Insert the ends of the suspension cable into the mounting brackets. Hang the enclosure from the suspension cable. There are several ends on one side of the suspension cable so that you can adjust the height of the enclosure.



Attach the Wire to the Enclosure

Depending on how you ran the wires to the subwoofer location, the wires can be attached to the connectors at the top or bottom of the enclosure. Push down on the top of the connector and insert the wire.



Drywall

The drywall is now ready to go up. The placeholder plate should not be removed until the subwoofer is installed. Install the drywall to the edge of the plate, but do not tape or mud the gap. The gap should not be larger than 1/8" (3mm).

The drywall screws should be no further apart than 12", or 8" along the edge.

Baffle Installation

After the drywall is installed, this subwoofer is ready for the baffle (CSUB10N) installation. Don't remove the placeholder plate until you're ready to install the baffle. The screws for the placeholder plate will later be used to install the baffle.

The baffle is sold separately, and includes the necessary instructions. Alternately, the CSUB10N manual can be found online at www.originacoustics.com.



Specifications

Model Number (Enclosure)	CSUB10NCE
Model Number (Baffle)	CSUB10N
Part Number (Enclosure)	CSUB10000NCE
Part Number (Baffle)	CSUB1000AN
Woofers Cone Material	Aluminum
Woofers Diameter	10" (254mm)
Frequency Response	30Hz-250Hz
Impedance	8Ω
Power Handling	100-500 watts
Sensitivity	88dB
Amplifier Requirements	SUBA500, SUBA150
Cutout Dimensions	10 ½" (268mm)
Dimensions (Enclosure)	44" x 12 ¾" x 3 ¼" (1118 x 325 x 84mm)
Dimensions (Baffle)	11 ¼" (286mm)
Dimensions (Grille)	11 ¾" (298mm)

Technical Assistance

If you have any questions or concerns about installing or using this product, you can reach us through one of the following methods:

Phone: (844) 674-4461

Hours of operation: 8:00am - 5:00pm (Pacific Time), Mon - Fri

Email: techsupport@originacoustics.com

If you are having technical trouble, please include the model number and briefly explain what steps you took to resolve the problem in your email, or be prepared to answer these questions over the phone. If you are considering returning the product, it's required that you contact Origin Acoustics prior to any return attempts. This way we can determine if the issue can be resolved without returning the product, or if needed we can provide instructions and support for the return process.



Warranty

Limited Lifetime Warranty

Origin Acoustics warrants to the original retail purchaser only that this Origin Acoustics product will be free from defects in materials and workmanship, provided the speaker was purchased from an Origin Acoustics authorized dealer.

If the product is determined to be defective, it will be repaired or replaced at Origin Acoustics' discretion. If the product must be replaced yet it is no longer manufactured, it will be replaced with a model of equal to or greater value that is the most similar to the original. If this is the case, installing the replacement model may require mounting modifications; Origin Acoustics will not be responsible for any such related costs.

Requirements and Warranty Coverage

This warranty may not be valid if the product was purchased through an unauthorized dealer. This warranty only applies to the individual that made the original purchase, and it cannot be applied to other purchases. The purchaser must be prepared to provide proof of purchase (receipt). This warranty will not be valid if the identifying number or serial number has been removed, defaced, or altered.

This warranty does not cover the following:

- Accidental damage
- Damage caused by abuse or misuse
- Damage caused by attempted repairs/modifications by anyone other than Origin Acoustics or an authorized dealer
- Damage caused by improper installation
- Normal wear, maintenance, and environmental issues
- Damage caused by voltage inputs in excess of the rated maximum of the unit
- Damage inflicted during the return shipment

Return Process

Before making any return attempts, it is required that you first contact Origin Acoustics. Return product to Origin Acoustics or your dealer, either in person or by mail. It's preferable if the product is returned in the original packaging. If this isn't possible, the customer is responsible for insuring the shipment for the full value of the product.

This warranty is in lieu of all other expressed or implied warranties. Some states do not allow limitations on implied warranties, so this may not apply depending on the customer's location. (For more information, see Magnuson-Moss Warranty Act.)

©2016 Origin Acoustics. All copyrighted, trademarked and patented elements mentioned herein are the sole property of Origin Acoustics.

