

- Assembly Kit**
- A - M6x25mm X3
 - B - M8x12mm X14
 - C - M5x10mm X4
 - D - M8 washer X18
 - E - M8 nut X4

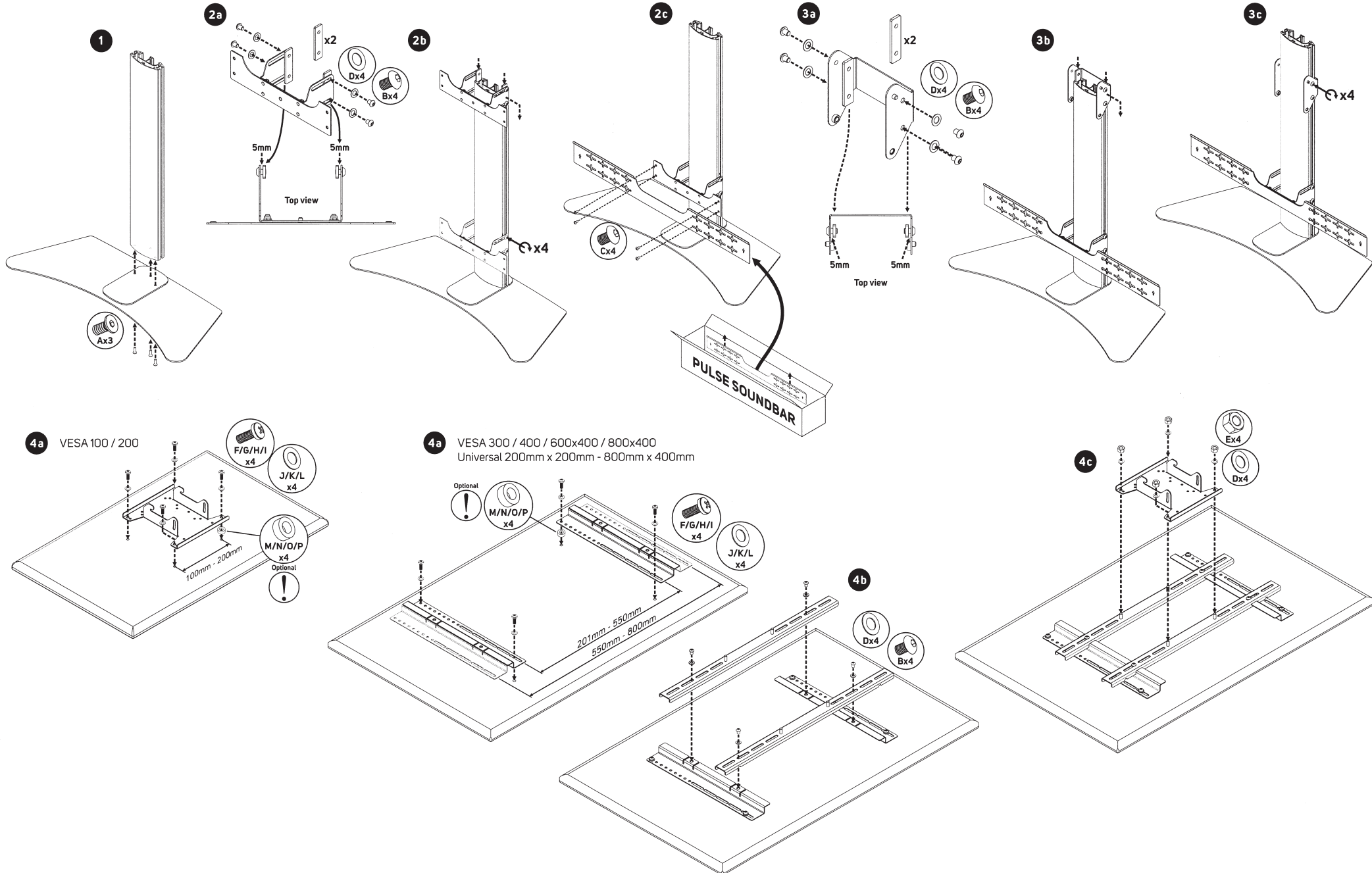
- TV Fixing Kit**
- F - M4x20mm X4
 - G - M5x20mm X4
 - H - M6x20mm X4
 - I - M8x20mm X4
 - J - M5 washer X4
 - K - M6 washer X4
 - L - M8 washer X4
 - M - M4x5mm X4
 - N - M5x5mm X4
 - O - M6x6mm X4
 - P - M8x6mm X4

Also required: Pozi screwdriver

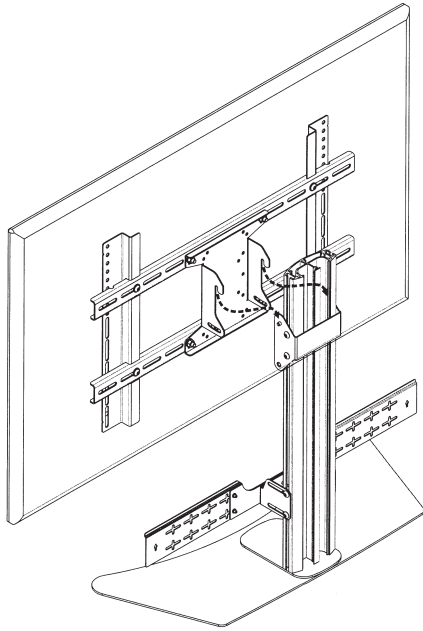
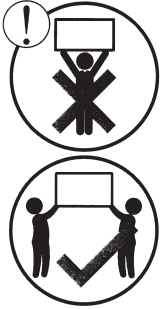


Assembly Kit

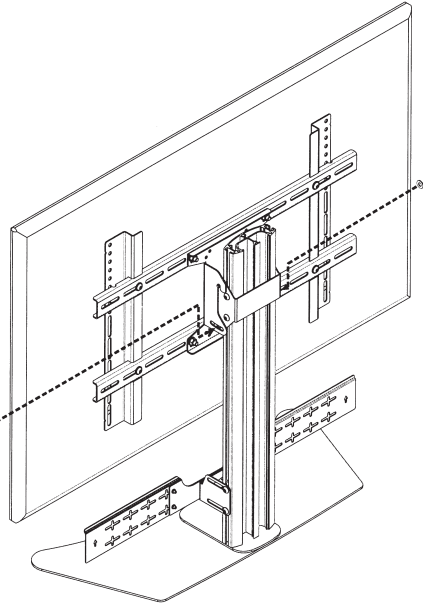
TV Fixing Kit



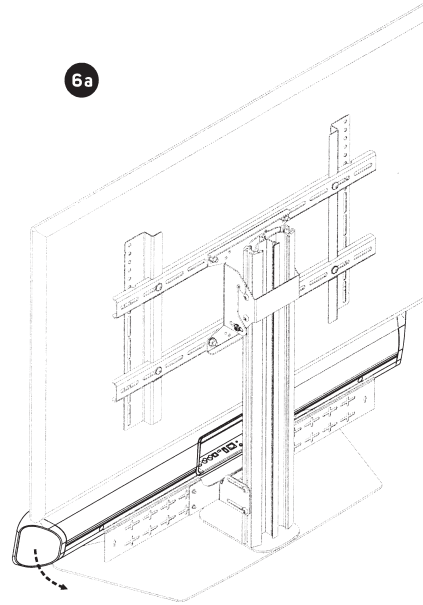
5a



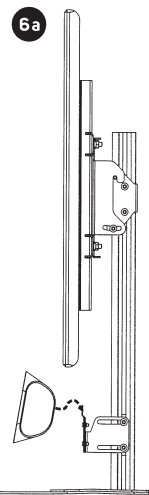
5b



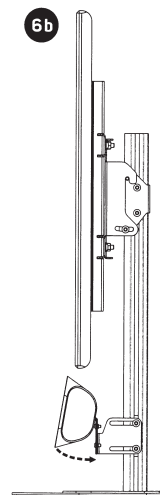
6a



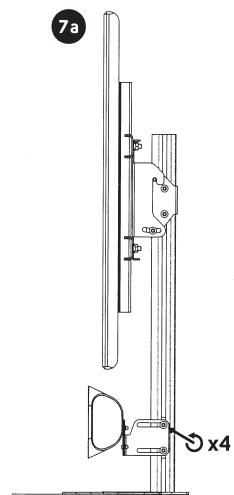
6a



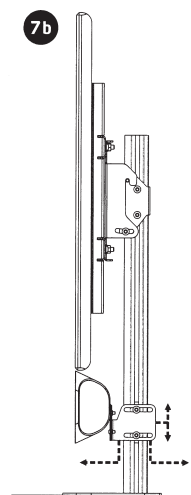
6b



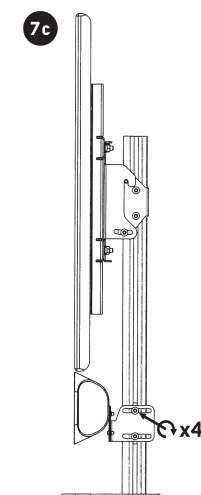
7a



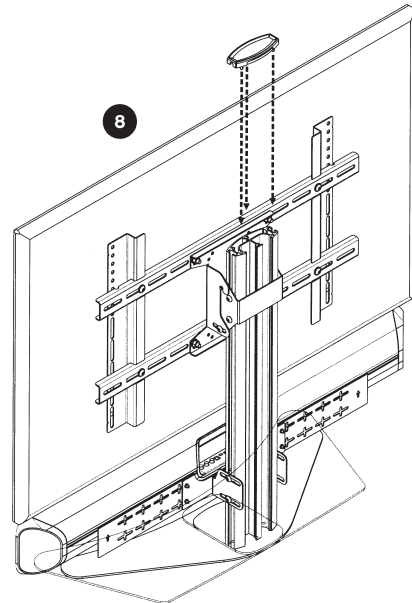
7b



7c



8



BLUESOUND®

TS100 Universal TV Stand for PULSE SOUNDBAR

Standards & Safety Precautions

Installation

Bluesound recommends the following:

- Follow all installation instructions for mounting the TV and PULSE SOUNDBAR to the TS100
- Position the PULSE SOUNDBAR as low as possible on the TS100 – we recommend not to exceed 1-2" (25-50mm) from the table surface (Figure 1)
- Position the TV as low as possible above the PULSE SOUNDBAR – we recommend not to exceed 1" (25mm) from the top of PULSE SOUNDBAR (Figure 1)

Securing the Stand

Bluesound recommends following precautions to enhance the stability of the TS100. An unsecured TS100 may topple and could result in property damage, bodily injury or even death.

- For extra security, Bluesound recommends tethering the TS100 to a wall and/or stand using wire and a wall anchor (not supplied) (Figure 2)
- Do not allow children to play or climb on nearby furniture or on the TS100 itself
- Avoid placing or hanging additional items on the TS100
- Never install the TS100 on slippery, unstable and/or uneven surfaces or furniture that can easily be used as steps, such as a chest of drawers
- Install the TS100 where it cannot be pulled, pushed or knocked over
- Route all AC Power Cords and connecting cables so that they are not accessible to curious children

Please Note:

- The maximum TV size should not exceed 65"
- The maximum TV weight should not exceed 77 lbs (35kg)
- Some TVs may not be compatible with the TS100

Figure 1

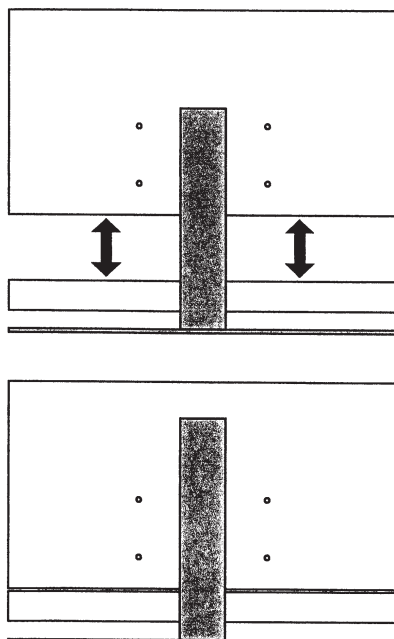


Figure 2

