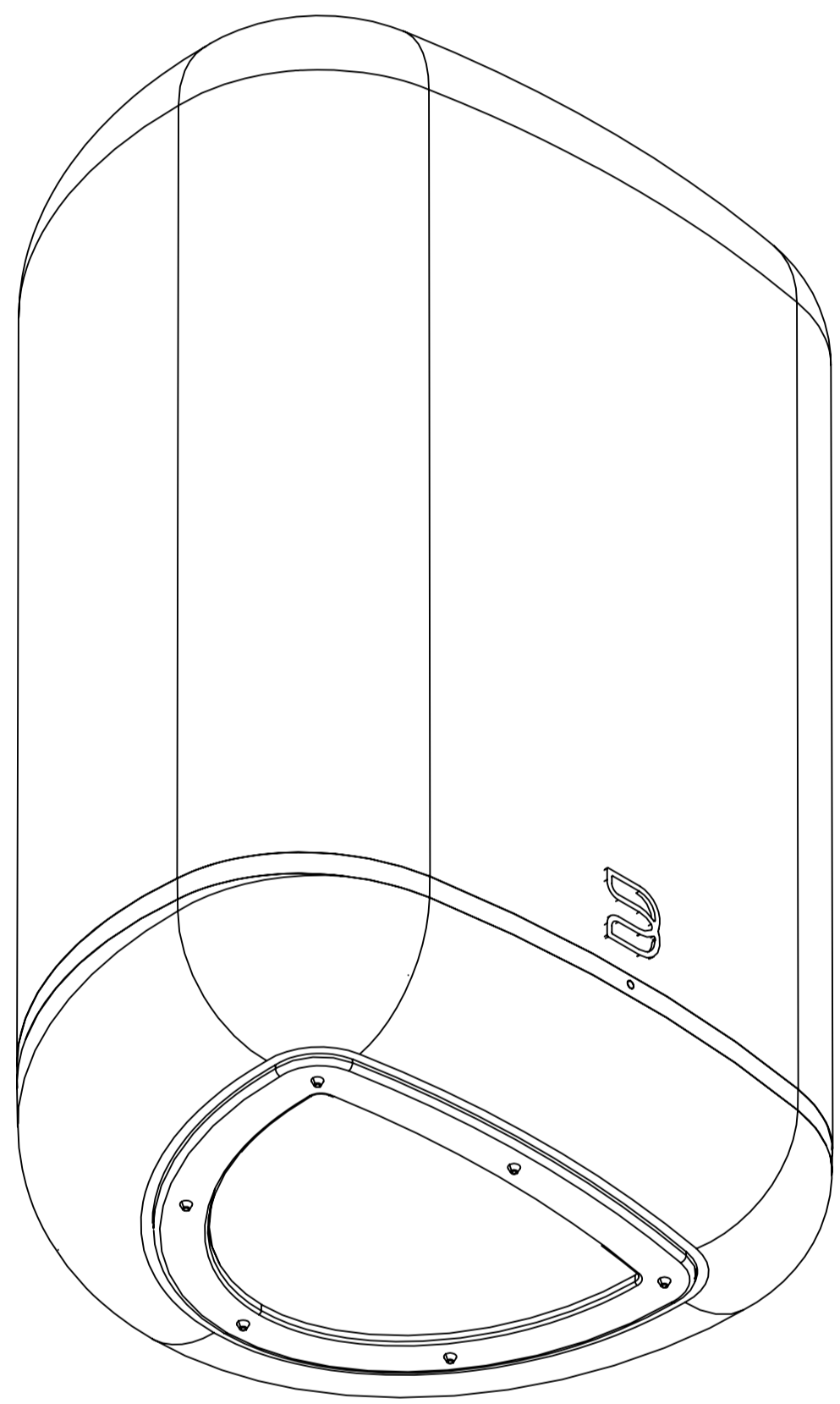
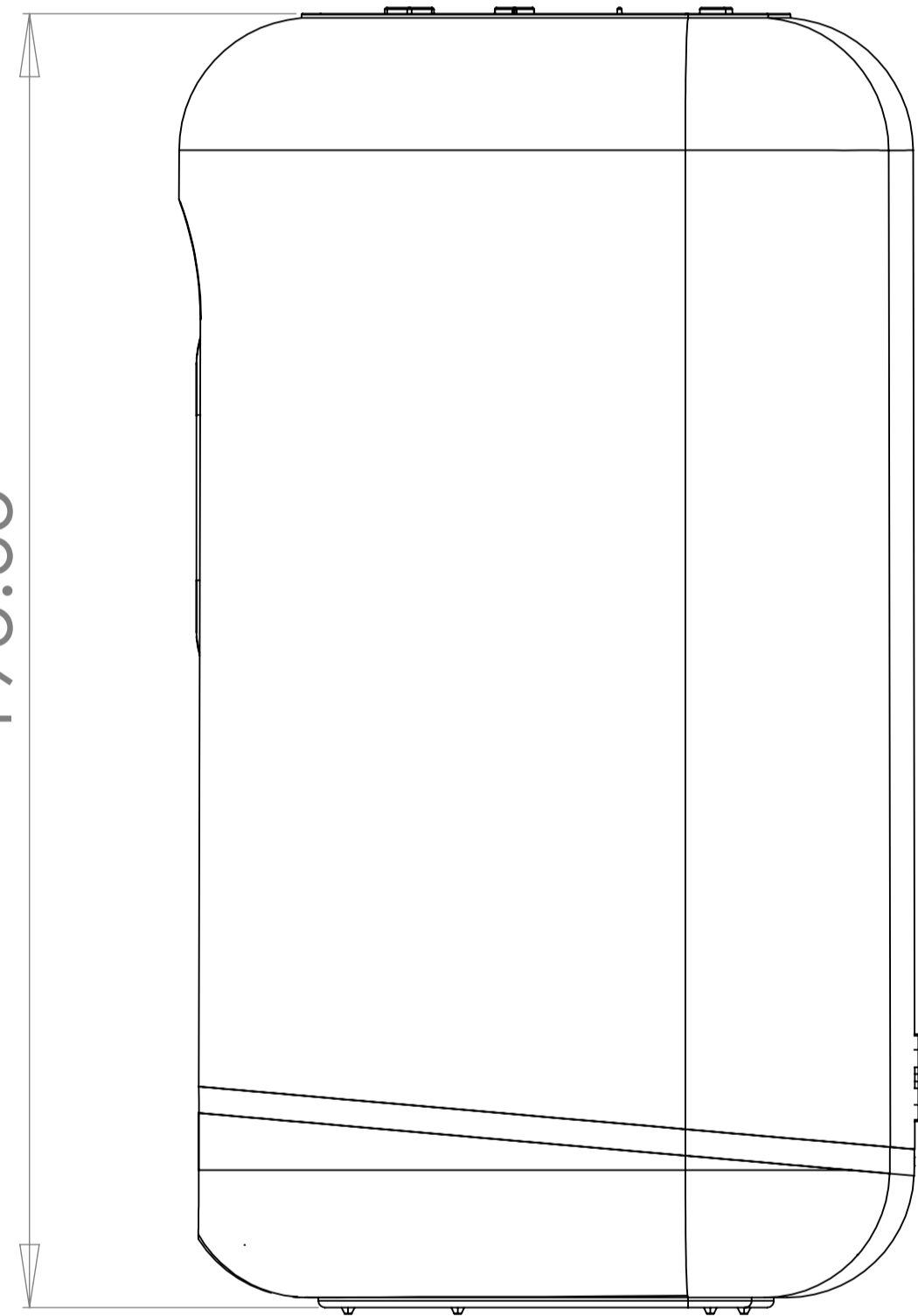


16 15 14 13 12 11 10 9 8 7 6 5 4 3 2 1

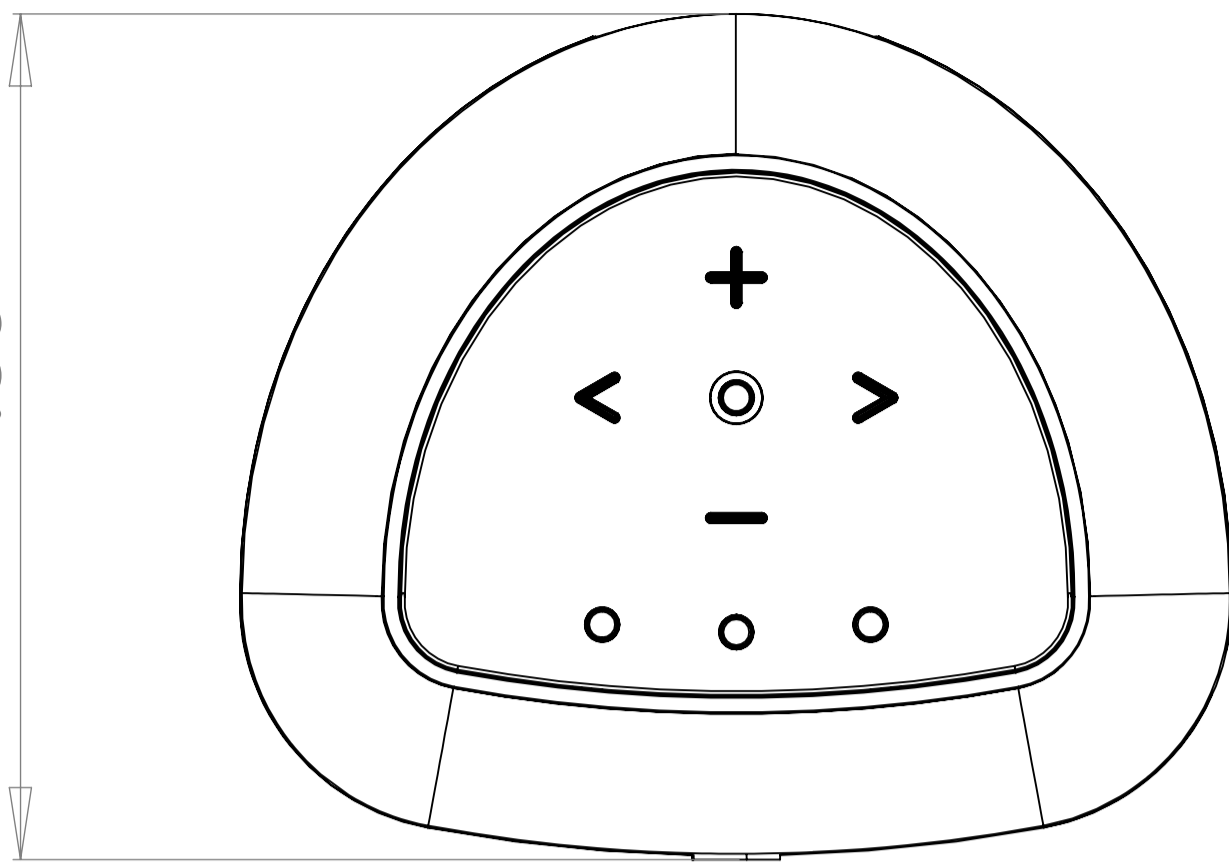
M L K J H G F E D C B A



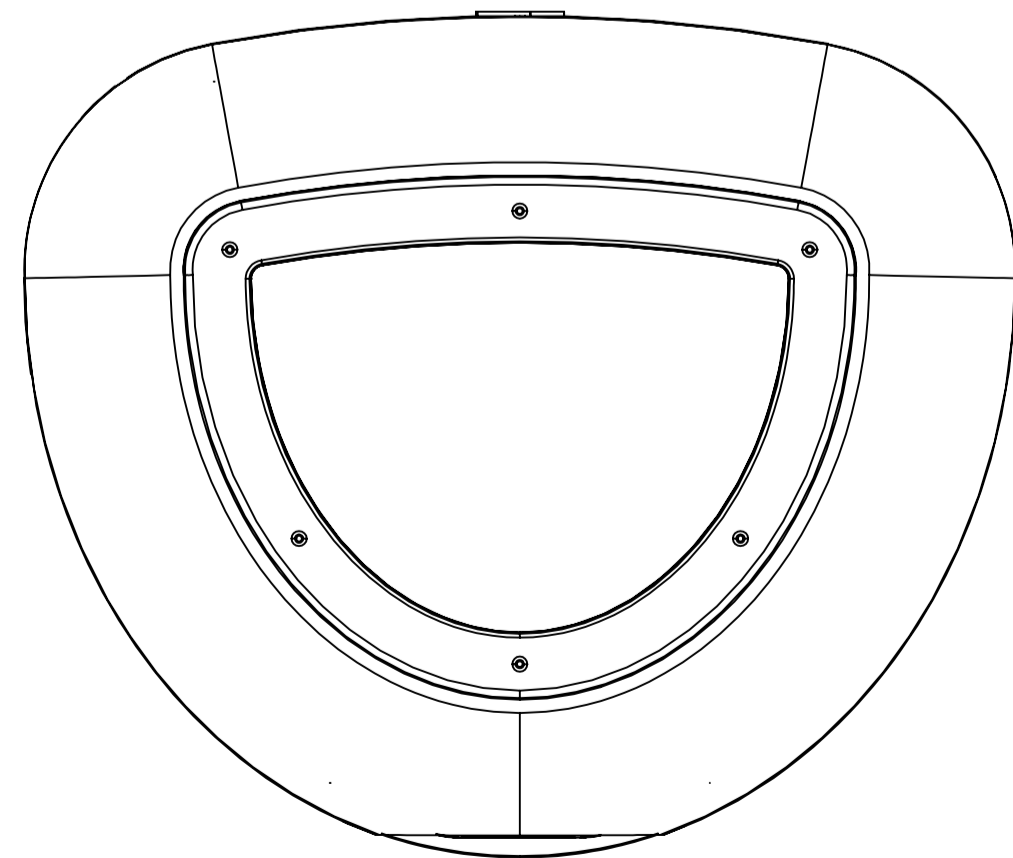
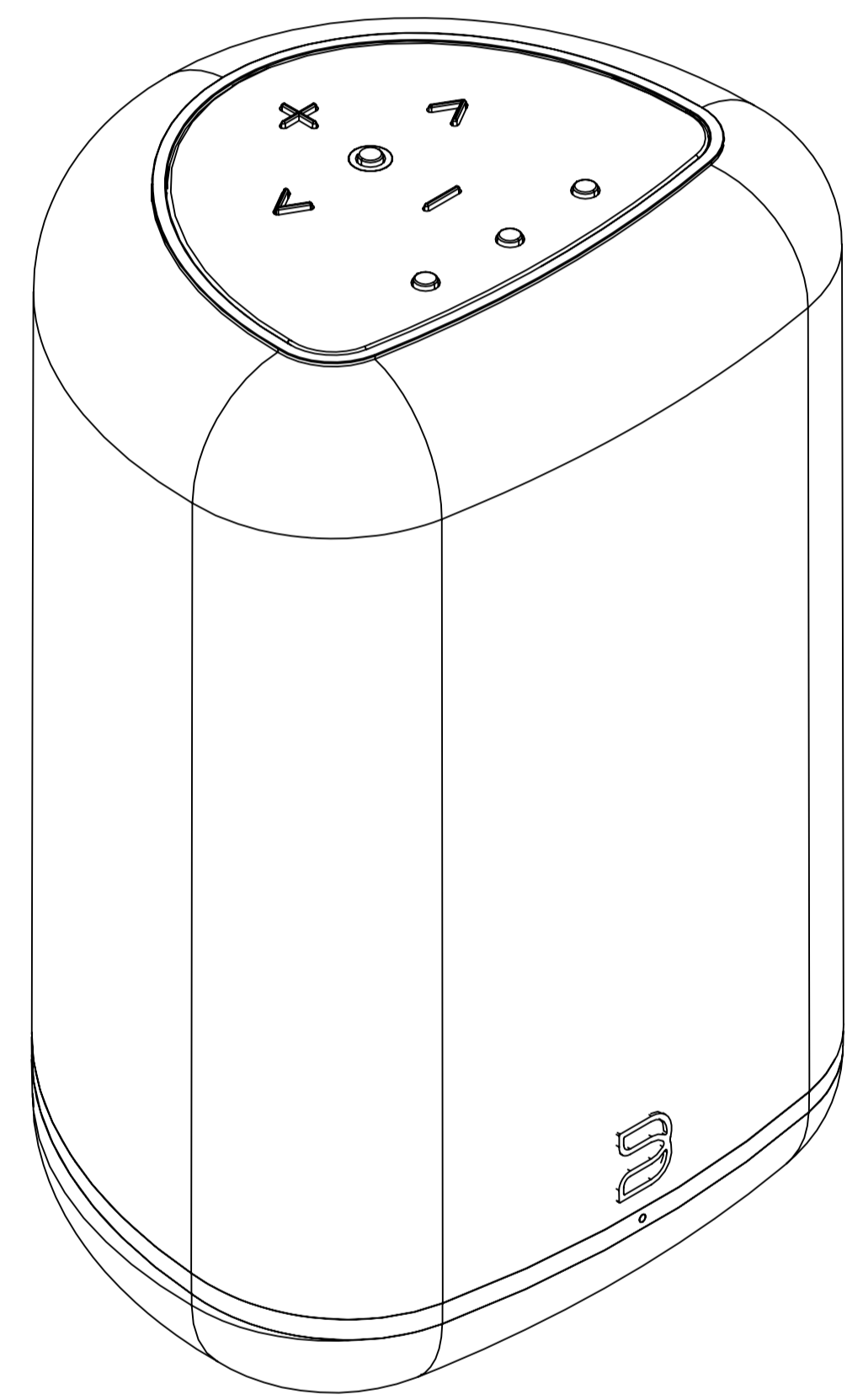
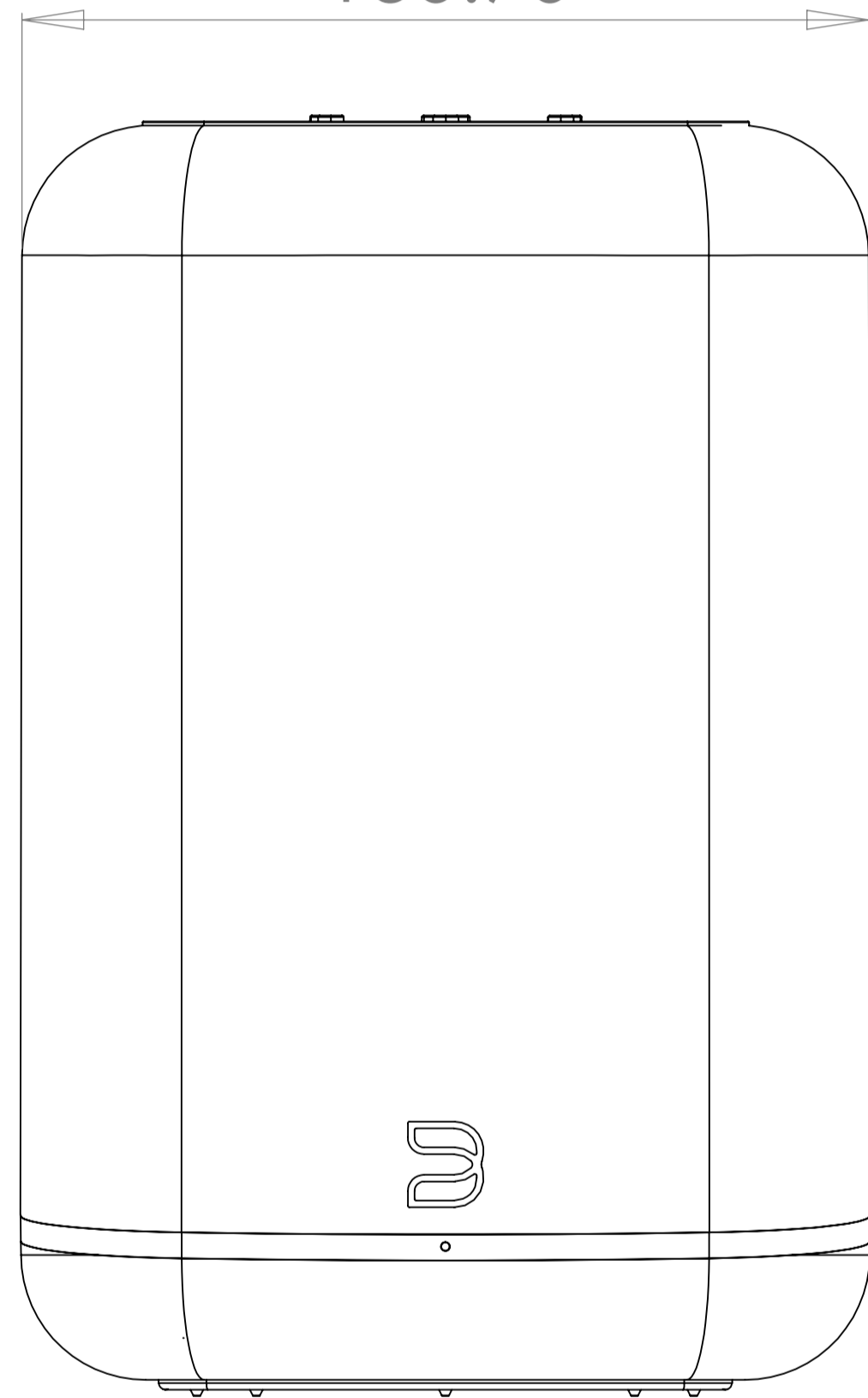
[7.703]  
195.65



[4.404]  
111.85



[5.146]  
130.70



UNLESS OTHERWISE SPECIFIED: DIMENSIONS ARE IN MILLIMETERS		FINISH:		DEBURR AND BREAK SHARP EDGES		DO NOT SCALE DRAWING		REVISION	
SURFACE FINISH:									
TOLERANCES:									
LINEAR:									
ANGULAR:									
NAME	SIGNATURE	DATE				TITLE:			
DRAWN GVK		20260609							
CHECKED									
APPROVED									
MFG									
Q.A.						MATERIAL:		DWG NO.	
								P130	
						WEIGHT:		SCALE:1:1	
								SHEET 1 OF 1	

16 15 14 13 12 11 10 9 8 7 6 5 4 3 2 1