

PULSE FLEX 2i

Portable Wireless
Streaming Speaker



SIZE-DEFYING SOUND. The most flexible member of the PULSE family, the PULSE FLEX 2i delivers the best of performance and true wireless portability. An upgraded bass driver adds some serious punch to the output of this small but mighty speaker, and our advanced DirectDigital™ amp delivers deep, detailed sound wherever you listen.

RULE YOUR SONIC DOMAIN. Now with AirPlay 2 built-in and easy integration into the Apple ecosystem, the PULSE FLEX 2i is more flexible than ever, while a new dual band WiFi engine keeps connectivity rock-solid, especially in crowded airspace.

SURROUND YOURSELF WITH SOUND. Group the PULSE FLEX 2i with other Bluesound players to play music across different rooms in perfect sync, or combine a pair of PULSE FLEX 2i speakers with the PULSE SOUNDBAR 2i and SUB to create a completely immersive Dolby Digital Surround system, for every lush cinematic detail.

HIGH FIDELITY. ANYTIME. ANYWHERE. Why just be in the crowd, when you can be front row? Simply, add the battery pack for grab-and-go streaming. Take the show on the road, the party to the park and the beats to the furthest reaches of your home.

- 25W TOTAL SYSTEM POWER
- DIGITAL AMPLIFIER
- AIRPLAY 2 INTEGRATION
- DUAL-BAND WIFI + ETHERNET
- QUALCOMM aptX® BLUETOOTH
- FLEXIBLE IN/OUTDOOR PORTABILITY
- 1 x 25mm (1") TWEETER
- 1 x 89mm (3.5") WOOFER
- USB TYPE A INPUT
- OPTICAL & ANALOG INPUTS
- HEADPHONE OUTPUT
- ASSIGNABLE HARD-BUTTON PRESETS
- SEALED ENCLOSURE
- RECHARGEABLE BATTERY PACK
(SOLD SEPARATELY)
- BLACK OR WHITE FINISH

BLUESOUND

BLUESOUND.COM



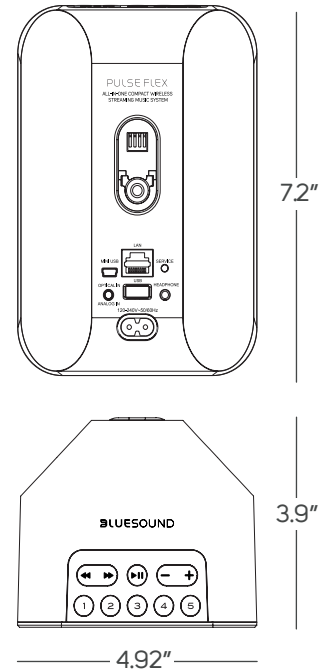
PULSE FLEX 2i Specifications

| | |
|-------------------------------------|--|
| Operating System: | BluOS |
| Supported Operating Systems: | iOS, Android, Windows Vista, 7, 8, 10, macOS X 7-10 |
| Supported File Formats: | MP3, AAC, WMA, WMA-L, OGG, FLAC, ALAC, WAV, AIFF, MQA |
| Native Sampling Rates: | 32 - 192kHz |
| Bit Depths: | 16 - 24 |
| Music Service Integrations: | 17+ |
| 3rd-Party Integrations: | AirPlay 2 |
| Control System Integrations: | Apple Wireless Accessory Configuration (WAC) |
| Voice Control Integrations: | Crestron, Control 4, RTI, ELAN, URC, Push, Lutron, iPod Supports Amazon Alexa, Google Assistant |

| | |
|------------------------------|--|
| Features: | |
| Play/Pause Button: | Hard Button |
| Volume Control Buttons: | Hard Button |
| Previous/Next Track Buttons: | Hard Button |
| Preset Buttons: | Hard Button x 5 |
| Processor: | ARM® Cortex™ -A9, 1GHz |
| Distortion: | THD+N, 0.030% |
| Amplification: | Digital |
| Power Output: | 25W total system power, bi-amplified 20W x 1 Woofer; 5W x 1 Tweeter |
| Speakers: | 3.5" (89mm) x 1 Woofer; 1" (25mm) x 1 Woofer |
| Frequency Response: | 45Hz - 20kHz |

| | |
|-------------------------|--|
| Connections: | |
| Power: | Universal bi-pin AC cord input (100-240AC) |
| Ethernet/LAN: | Ethernet RJ45, 100BaseT |
| WiFi Built In: | 802.11ac, dual-band |
| Bluetooth: | Built In |
| Bluetooth Quality: | Qualcomm aptX Bluetooth 4.1 |
| Bluetooth Connectivity: | One-Way (receive) |
| IR Optical Built In: | IR Sensor Built In - front panel |
| Optical/Analog Input: | Combo - Toslink/3.5mm |
| USB IN: | Type A (Fat32 Formatted) |
| USB: | Type B (mini) for product servicing |
| Headphone Output: | 3.5mm Stereo |

| | |
|--|--------------------|
| Power Consumption (Idle/Standby): | 3 Watts/<0.5 Watts |
| Finish: | Black/White |



Dimensions (Product):

125 x 183 x 100mm (W x H x D)
4.92 x 7.2 x 3.9 in (W x H x D)*

Weight: 1.23kg/2.71lb

Dimensions (Shipping, Single Unit):

183 x 183 x 230mm (W x H x D)
7.2 x 7.2 x 9.06 in (W x H x D)*

Weight: 1.95kg/4.29lb

Included Accessories:

120V AC Power Cord
230V AC Power Cord
Toslink Optical to 3.5mm Mini Adaptor
Safety/Warranty Guide
Quick Setup Guide

* Non-metric measurements are approximate.

BLUESOUND®

© Bluesound International. Bluesound, the stylized wordmark and "B" logotype, the phrase "HiFi for a wireless generation", FLEX 2i and all other Bluesound product names and taglines are trademarks or registered trademarks of Bluesound International, a division of Lenbrook Industries Limited. All other logos and services are trademarks or service marks of their respective owners. 18-022 © 08/18 Bluesound.