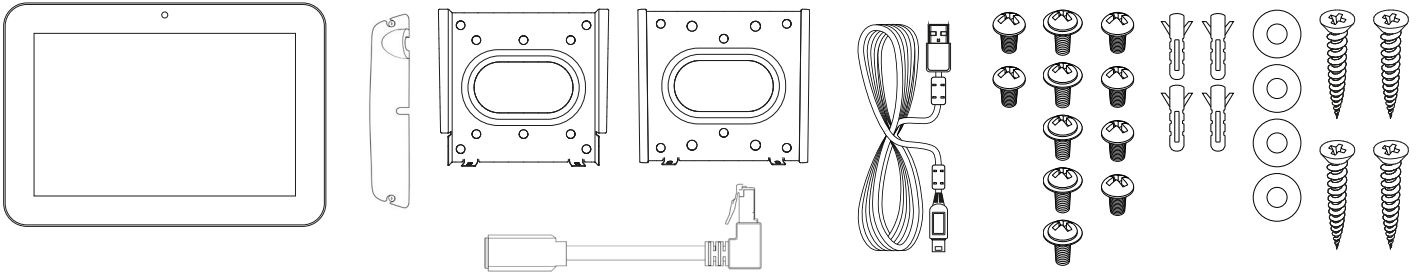


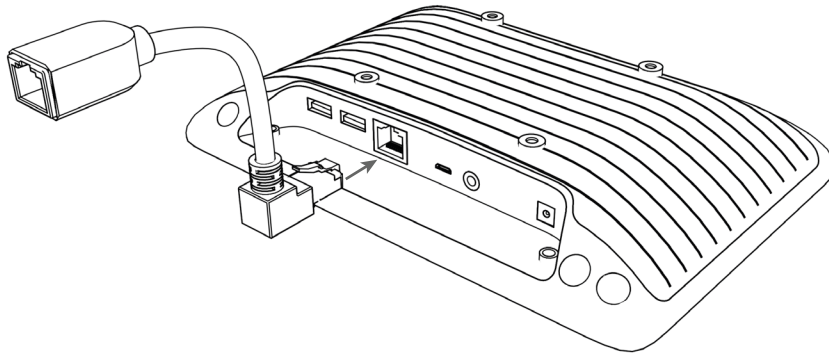
**WHAT'S IN THE BOX**



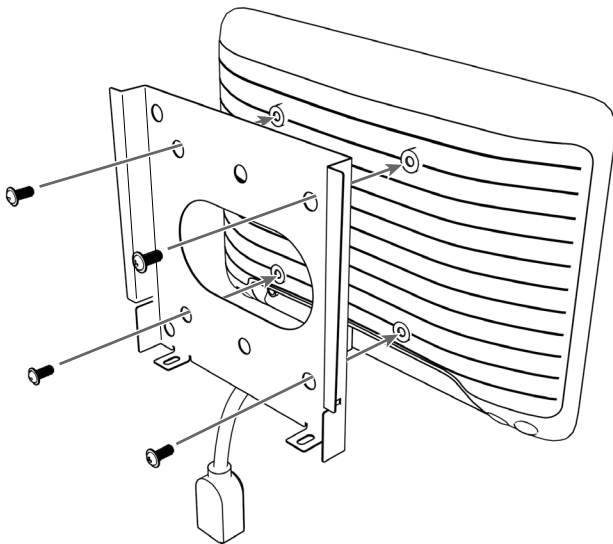
[bluesoundprofessional.com/product/CP300-wall-mount-controller](https://bluesoundprofessional.com/product/CP300-wall-mount-controller)  
[support@bluesoundprofessional.com](mailto:support@bluesoundprofessional.com)  
[bluesound.com/downloads](https://bluesound.com/downloads)

**INSTALL**

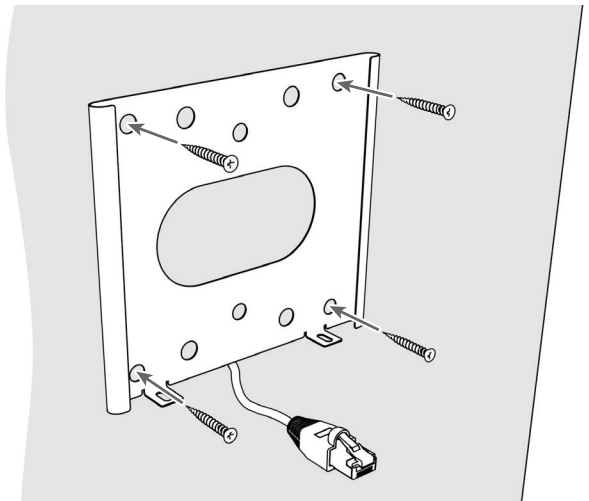
1.



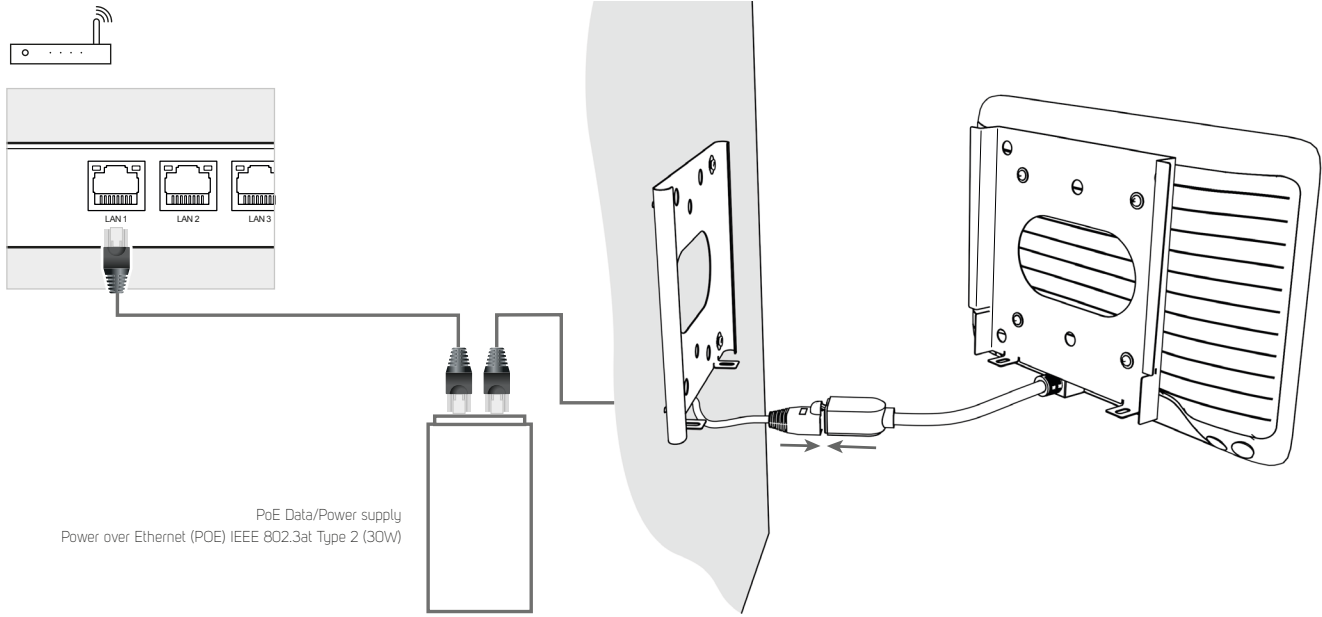
2.



3.

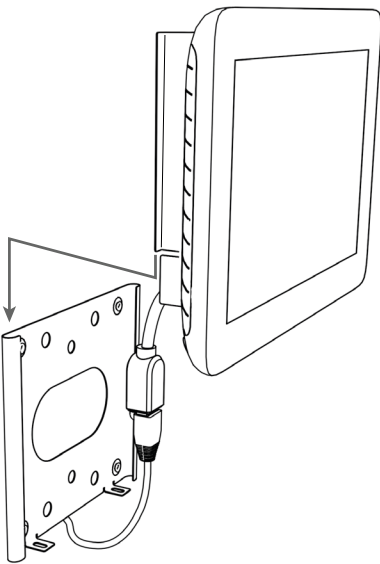


4.

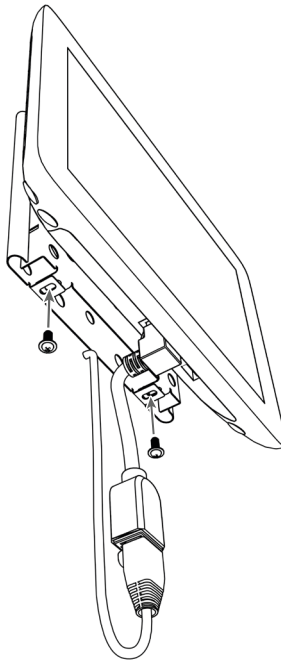


## OPERATION

5.



6.



CP300 automatically powers up with PoE connection.  
Select BluOS App to start operation.

